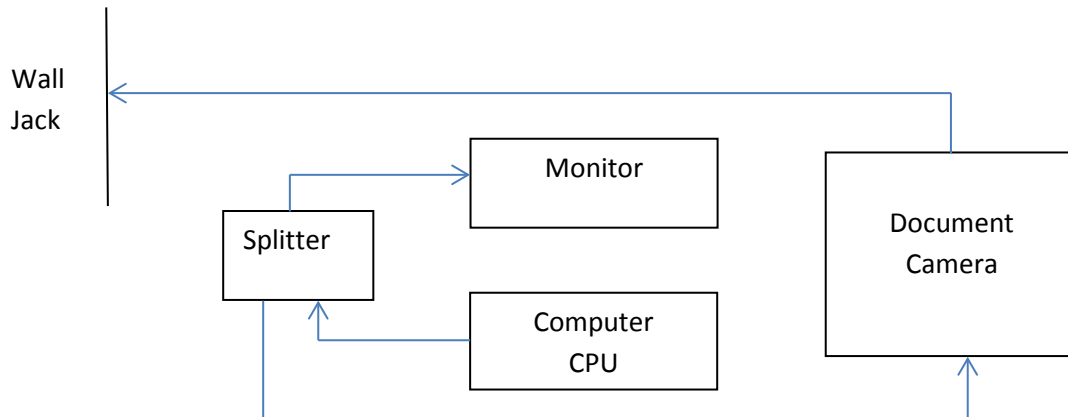
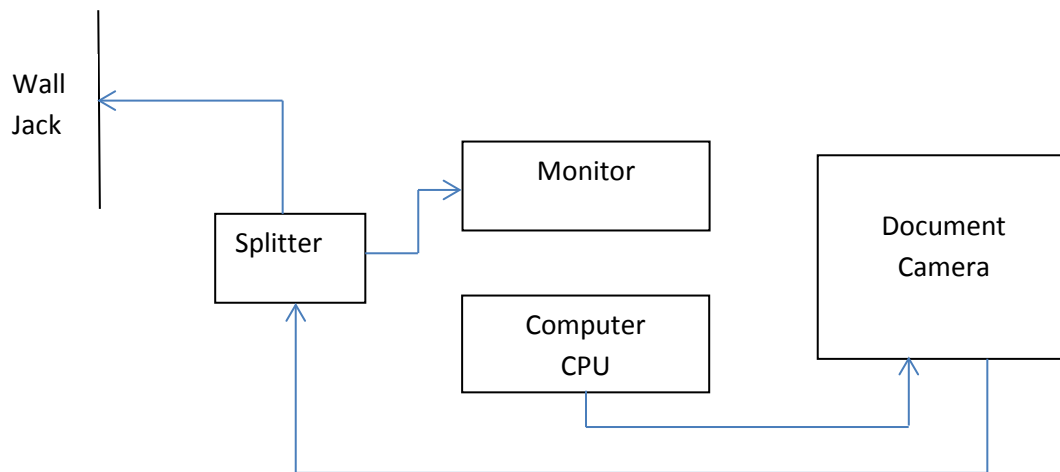


How to Connect Your Document Camera to the SmartBoard



Method 1: Allows the user to use the computer while the document camera is displayed on the SmartBoard. This might require the document camera to be moved closer to the wall jack, depending on the length of available cable.



Method 2: The computer monitor and the SmartBoard display the same image.